



# Cordless Stick Vacuum Cleaner

User Manual



VRT 96425 VD

EN



01M-8917831200-2424-01



# Please read this manual first!

Dear Customer,

Thank you for purchasing this Beko product. We want you to get the most out of this high-quality product made with the latest technology. Please read these instructions and attached documents fully before using it and keep them for reference. If you hand this appliance over to someone else, give them this manual as well. Heed all the warnings and information here and follow the instructions.

## Symbols and their meanings

These symbols are used in this manual:



Important information and useful tips for using the appliance.



**WARNING:** Warnings about dangerous situations concerning safety of life and property.



Electric shock protection class.



For indoor use only.



RECYCLED &  
RECYCLABLE PAPER

## CONTENTS

---

<b>ENGLISH</b>	<b>03-20</b>
<b>FRANÇAIS</b>	<b>21-39</b>
<b>HRVATSKI</b>	<b>40-56</b>
<b>ITALIANO</b>	<b>57-76</b>
<b>ROMÂNĂ</b>	<b>77-98</b>
<b>POLSKI</b>	<b>99-119</b>
<b>СРПСКИ</b>	<b>120-137</b>
<b>SLOVENČINA</b>	<b>138-155</b>
<b>МАКЕДОНСКИ</b>	<b>156-173</b>
<b>SHQIPTAR</b>	<b>174-191</b>
<b>TÜRKÇE</b>	<b>192-215</b>

# 1 Important safety and environmental instructions

This section contains instructions for avoiding hazards that could result in injury or material damage. Failure to follow these instructions will void all warranties for this appliance.


## 1.1 General safety

- This appliance complies with international safety standards.
- This appliance can be used by children aged 8 years and over and people with reduced physical, sensory, or mental capabilities of lack of experience if they are supervised or instructed how to use the appliance safely and understand the hazards involved. Children should not play with the appliance. Children must not clean or maintain the appliance unless they are supervised.
- Do not use the appliance if the power cord or the appliance is damaged. Contact the authorised service.
- Make sure the mains power matches the information on the appliance's rating plate/label.
- Do not use the appliance with an extension cord.
- To avoid damage to the power cord, prevent it from being pinched, crimped or rubbed against sharp edges.
- Do not handle the appliance or its plug with wet hands when plugged in.
- Do not pull on the cord while unplugging the appliance.
- Do not vacuum combustible materials and make sure that cigarette ashes are cold before you vacuum them.
- Do not vacuum water and other liquids.
- Protect the appliance from rain, moisture, and heat sources.
- Do not use the appliance in or near explosive or flammable environments and substances.
- Unplug the appliance before cleaning and maintenance.
- Do not clean the appliance or power cord by immersing in water.
- Do not disassemble the appliance.
- Use original parts or parts recommended by the manufacturer only.
- To prevent blocking the filer or damaging the motor, do not vacuum cement, plaster or fragments of compressed paper.
- Use the appliance only with the station provided.
- Do not use the appliance without filters otherwise it could get damaged.
- If you keep the packaging, keep it out of reach of children.
- This appliance is not intended to be used by persons, including children, with sensory or mental disabilities or lack of experience and knowledge unless they are supervised by the persons responsible for their safety and instructed in its use.
- Children must be supervised to prevent them from playing with the appliance.
- Remove the plug and battery group before cleaning and maintenance.
- Keep your fingers, hair, and loose clothing away from the moving parts or openings when operating the vacuum cleaner.
- Remove the batteries before disposing of the appliance.
- Unplug the appliance before removing the battery.
- Dispose of used batteries in accordance with local laws and regulations.
- The batteries in the appliance should only be replaced by authorised persons.
- This appliance is not intended for commercial use. This appliance is intended for domestic and not commercial use as follows:
  - In the staff kitchens of stores, offices and other working environments
  - Farms
  - By guests in hotels, motels or other accommodation facilities
  - In B&Bs and similar places.

# 1 Important safety and environmental instructions

- This appliance must not be used by persons with limited physical, sensory, and cognitive abilities or who lack experience and knowledge unless they are supervised or have been instructed in its operation.
- Children must be supervised to prevent them from playing with the appliance.
- Do not place the handset on the table; We recommend that you attach the wall-mounted charging base after cleaning.
- If the supply cord is damaged, it must be replaced by the manufacturer, its service agent or similarly qualified persons in order to avoid a hazard.
- The instructions for appliances with rotating brushes shall state that a hazard may occur if the appliance runs over the supply cord.
- **WARNING:** For the purposes of recharging the battery, only use the detachable supply unit provided with this appliance.

## 1.2 Compliance with the WEEE Directive and Waste Disposal

 This appliance complies with the EU's WEEE Directive (2012/19/EU). This appliance carries a Waste Electrical and Electronic Equipment (WEEE) classification symbol. This symbol shows that the appliance must not be disposed of along with other household waste at the end of its useful life. The appliance must be returned to an official collection site for the recycling of electrical and electronic equipment. Contact the local authorities or the retailer where you purchased the appliance to learn about collection systems. Every home has an important role to play in reclaiming or recycling old appliances. Proper disposal of your used appliance will help prevent potential adverse effects on the environment and human health.

## 1.3 Packaging information



The product's packaging is made of recyclable materials in accordance with the National Environment Legislation. Do not dispose of packaging materials along with household or other waste. Take these materials to the packaging materials collection points designated by the local authorities.

## 1.4 Information About Waste Batteries



This symbol found on batteries/rechargeable batteries or their packaging shows that the battery/rechargeable battery must not be mixed in with household waste. Certain batteries/rechargeable batteries may also carry a chemical symbol in addition to this symbol. The mercury (Hg) or lead (Pb) symbols are also added if the batteries/rechargeable batteries contain more than 0.0005% mercury or more than 0.004% lead.

Batteries/rechargeable batteries, including those without heavy metals, must not be disposed of together with household waste. Always dispose of used batteries in accordance with local environmental regulations. Learn the waste regulations in force where you live.

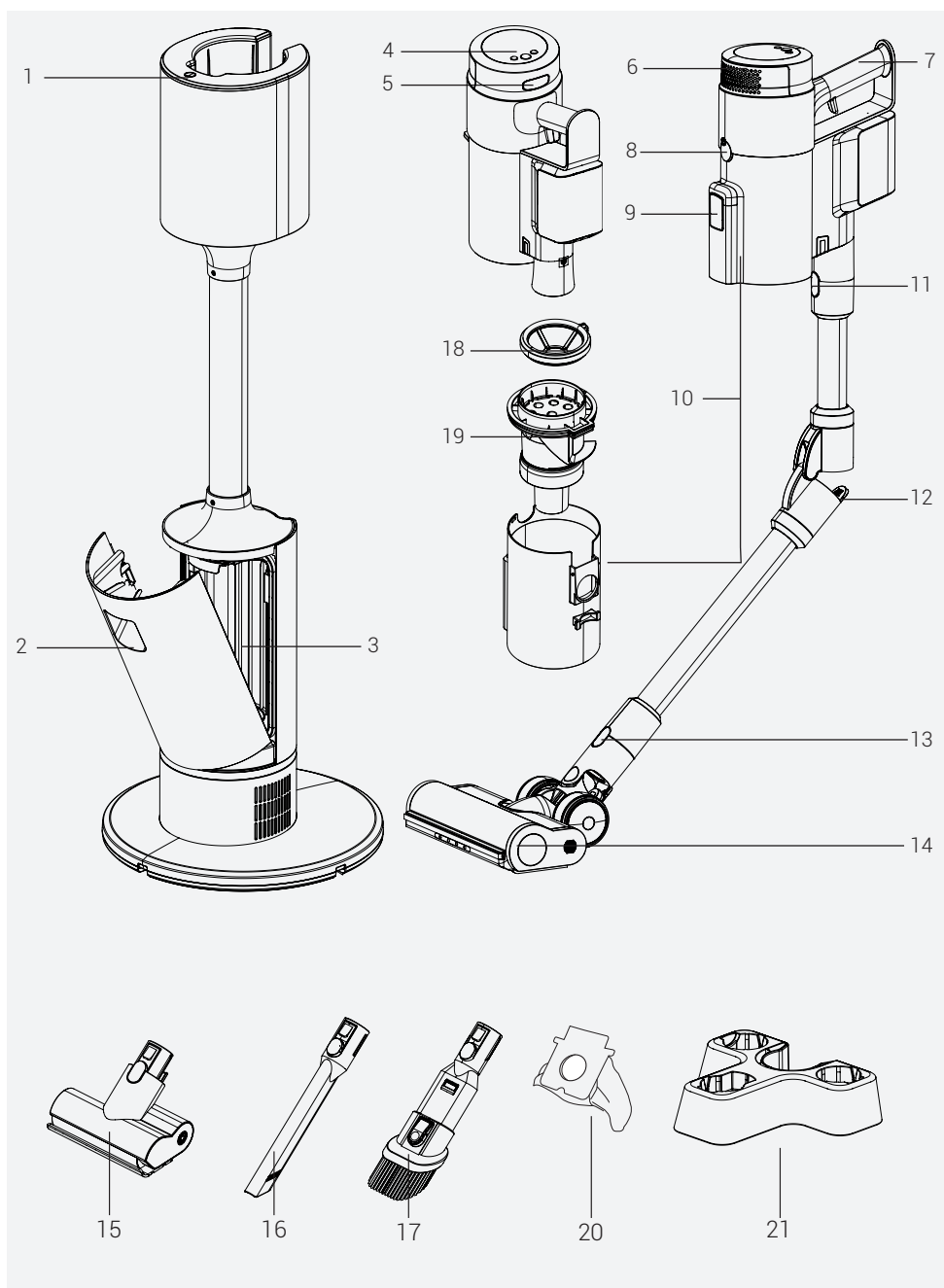
## 1.5 What you can do to save energy

- Use the speed setting most suitable for the surface to save energy when using your appliance.
- Under normal conditions, hard surfaces, curtains, and furniture require a low speed and carpets require a high speed.

## 1.6 Compliance with the RoHS Directive

The appliance you have purchased complies with the EU's RoHS Directive (2011/56/EU) It does not contain the harmful and forbidden substances specified in the directive.

## 2 Overview




## 2 Overview

### 2.1 Controls and components

1. Charging station control button
2. Dust bag cover opening handle
3. Dust bag container
4. LED display and control buttons
5. HEPA filter cover release button
6. HEPA filter cover
7. Handle
8. Dust container release button
9. Dust emptying cover
10. Dust cup
11. Wand release button
12. Wand bend button
13. Brush release button
14. Main brush
15. Pet hair brush
16. Crevice nozzle
17. Dust brush
18. Dust container front filter
19. Multi cyclone filter
20. Dust bag x 3
21. Accessory holder

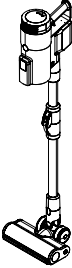
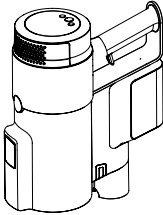
### 2.2 Technical data

<b>Nominal power</b>	450 W
<b>Automatic cleaning station nominal power</b>	900 W
<b>Automatic cleaning station power input</b>	220 - 240 V~ 50-60 Hz
<b>Automatic cleaning station power output</b>	30.7 V  0.8 A
<b>Charging time</b>	3-4 hours
<b>Operating time under max. power</b>	10 minutes
<b>Operating time under medium power</b>	30 minutes
<b>Operating time under min. power</b>	60 minutes

Manufacturer reserves the right to make technical and design changes.

Values supplied with the appliance or accompanying documentation are laboratory readings per relevant standards. These values may differ depending on operating and ambient conditions.

## 2 Overview

Usage Type	Speed	Operating time	
Upright vacuum cleaner mode	Minimum speed	Up to 38 minutes	
	Medium speed	Up to 25 minutes	
	Maximum speed	Up to 10 minutes	
Hand-held mode (With unpowered accessories)	Minimum speed	Up to 60 minutes	
	Medium speed	Up to 30 minutes	
	Maximum speed	Up to 10 minutes	

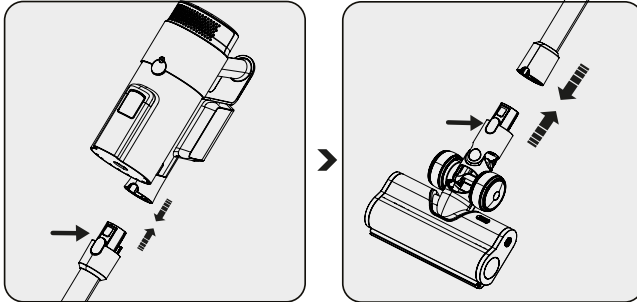


## 3 Operation

### 3.1 Intended use

The appliance is intended for home use only and is not suitable for professional use.

### 3.2 Attaching the body and brush



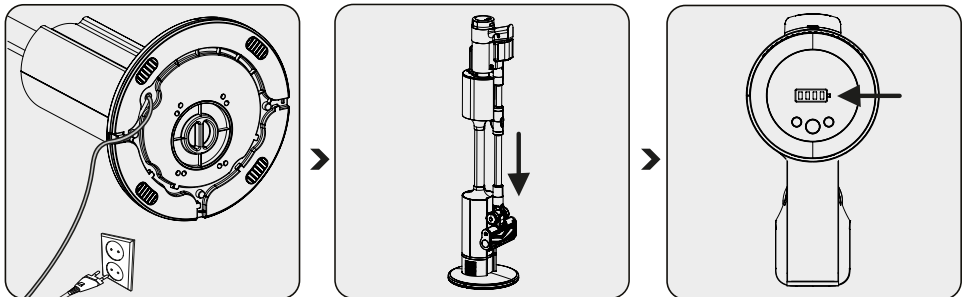
Press the wand release button and slot the wand into the body as shown by the arrow.

Press the electric turbo brush release button on the electric turbo brush and push it onto the wand as shown by the arrow.

### 3.3 Assembling and charging the automatic dust emptying station



**WARNING:** Charge the battery fully before using the appliance for the first time or if you haven't used it for a long time.



Plug in the automatic dust emptying charging station.

Place the appliance onto the charging dock.

The appliance will begin charging automatically as soon as it has finished cleaning.

Once charging begins, you can see the battery charge level on the display. When all the battery charge levels are lit, this means charging is complete.

## 3 Operation



You can press the charging station control button to stop the automatic cleaning process at any time.



The LED display will turn off after a while once charging is complete.

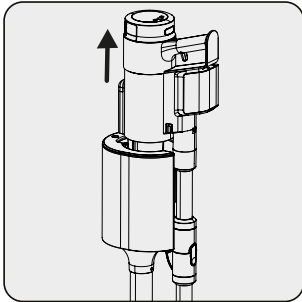


It takes up to 3 to 4 hours to charge the appliance completely. Do not use the appliance while it is charging.

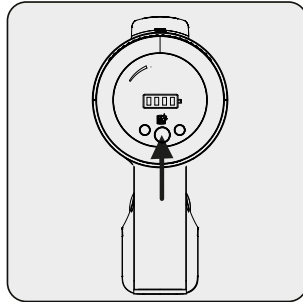


If the appliance is working, it will stop working as soon as you place it on the charging dock.

### 3.4 Operation

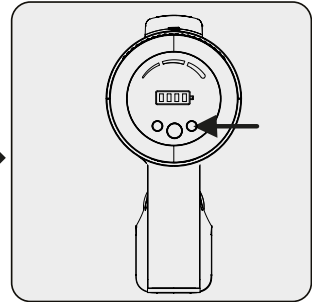


Lift the appliance up and away from the automatic dust emptying station.



Press the on-off button to start the appliance.

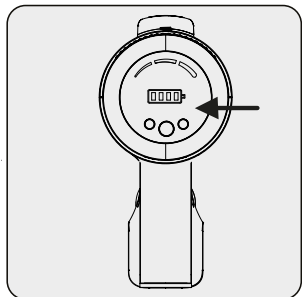
The appliance will start running at minimum speed when the on/off button is pressed.



Press the button to increase the speed. The suction mode you are using (low/medium/high) will be shown on the display. Press the "+" and "-" to change the speed.

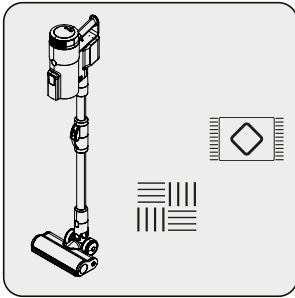


You can place the appliance onto the charging dock before the charge completely runs out. The appliance can stay on the charging dock until the next use.

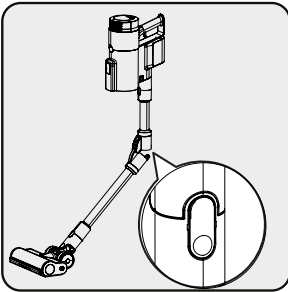


Watch the charge levels when using the appliance. The appliance will stop automatically when the charge runs out.

## 3 Operation

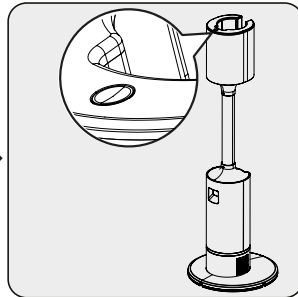
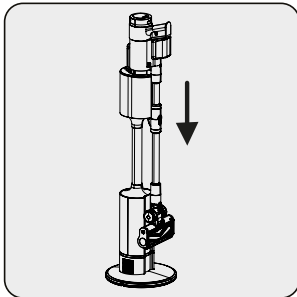


This appliance is suitable for use on carpets and hard surfaces.



You can bend the wand to reach easily under chairs and tables. Bend the wand by pressing the round button on the left.

### 3.5 Operating the automatic cleaning station



When you place the appliance onto the automatic cleaning station, the dust container will empty automatically.

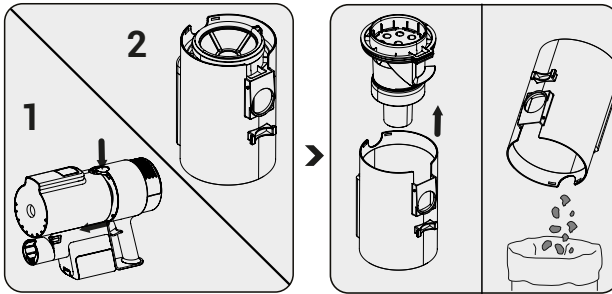
The control button on the automatic dust emptying station will blink on and off while cleaning is in progress.

You can press the control button on the automatic dust emptying station to stop the dust emptying process at any time.



Dust, hair, thread and similar objects can get tangled around the multi cyclone filter preventing the container from emptying fully. In this case, you should manually clean the dust container as shown below.

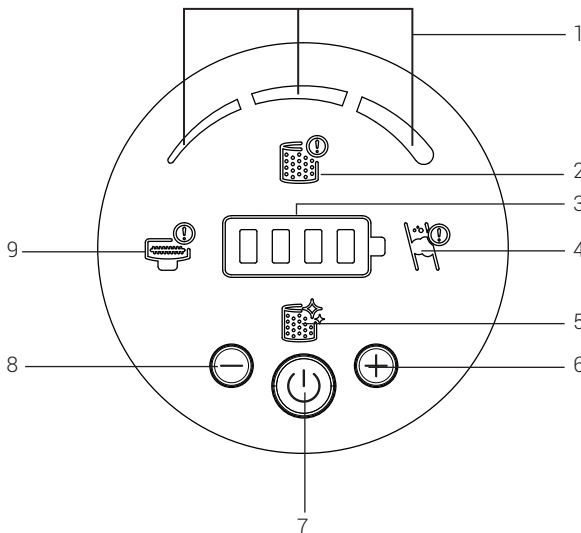
## 3 Operation



Press the dust container release button and remove the container.

Lift out the multi cyclone filter and clean out the dust in the dust container.

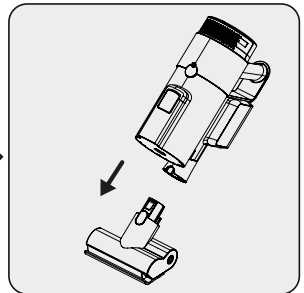
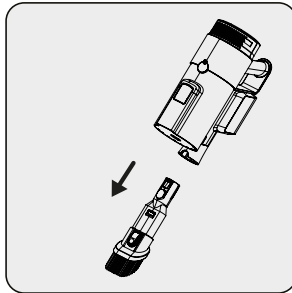
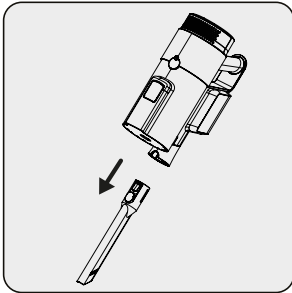
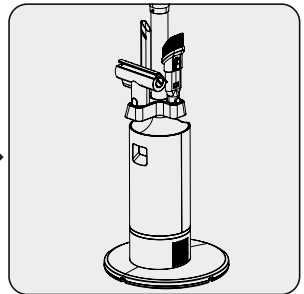
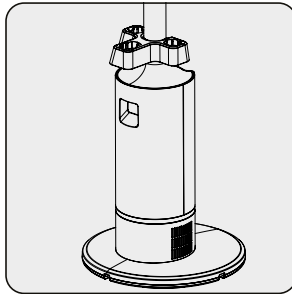
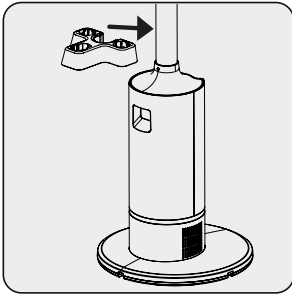
### 3.6 LED display indicators



1. Suction mode
2. This symbol warns the user when the front filter is not attached and for its own protection, the appliance will not turn on until it is attached. Make sure you have attached the filter.
3. Battery charge level
4. This shows when there is an air blockage. Check inside the wand and the suction intake on the body to see if any foreign objects are causing an obstruction.
5. This shows when the front filter needs cleaning.
6. Speed button
7. On/Off switch
8. Speed adjustment button
9. This shows when the beater brush is stuck and needs cleaning.

## 3 Operation

### 3.7 Accessories



**Crevice nozzle:** Ideal for cleaning behind furniture, hard-to-reach and narrow spaces.

**Dust brush:** Ideal for cleaning curtains, sofas, varnished furniture, delicate and fragile objects.

**Mini turbo brush:** Ideal for sweeping floors, stairs, inside cars, couches, and sofas. It is also used for picking up pet hair on such surfaces.

## 4 Cleaning and care

Turn off and unplug the appliance before cleaning it.

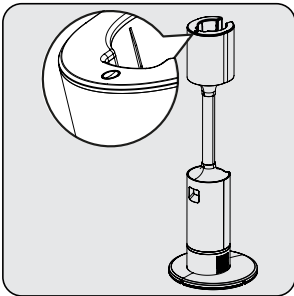


**WARNING:** Never use gasoline, solvents, abrasive cleaners, metal objects or hard brushes to clean the appliance.

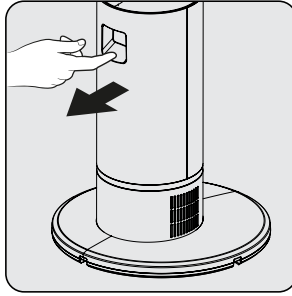


**WARNING:** The filters can become deformed through use over time. Replace such filters to maintain performance. Contact customer service to order new filters.

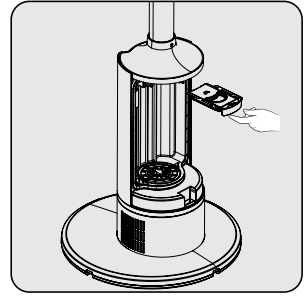
### 4.1 Replacing the dust bag



When the red control button on the automatic dust emptying station shines red, check to see if the dust bag is full or not.



Open the dust cover on the automatic dust emptying station.

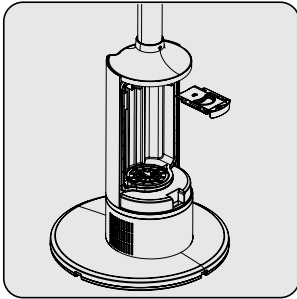


Pull the dust bag out of the container using the handle.

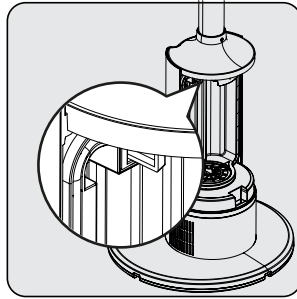


**WARNING:** If the dust bag is not full, check to see if something is stuck in the container, the wand, or on the brush.

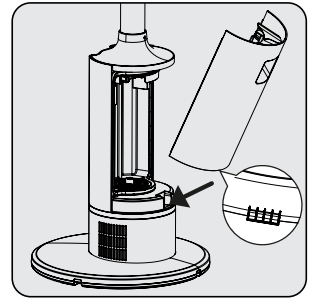
## 4 Cleaning and care



Replace the dust bag with a new one.



Slot the dust bag in using the handle and push.

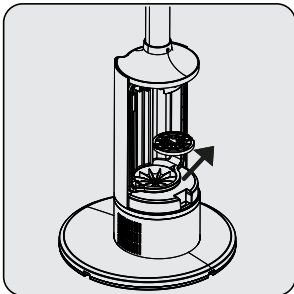


Close the dust cover on the automatic dust emptying station.

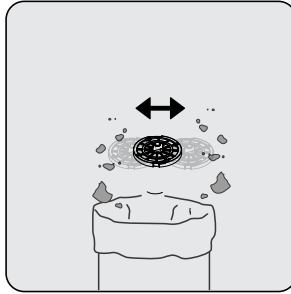


**WARNING:** Dust bags are not reusable.

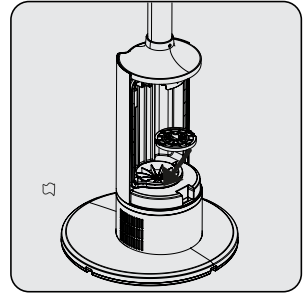
### 4.2 Cleaning the Dust container and Filters



Twist and remove the dust filter.



Clean the front filter by shaking it to clear away the dust.



Put the front filter back and twist to secure.

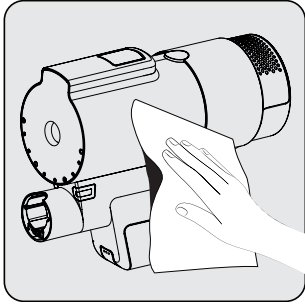


**WARNING:** Do not wash the HEPA Filter.

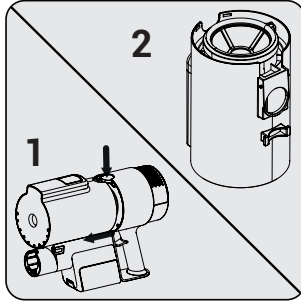


We recommend cleaning the dust container after each use.

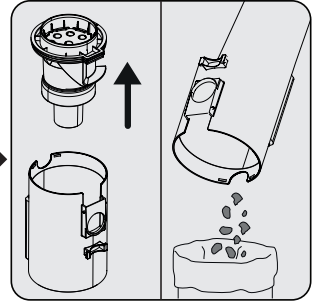
## 4 Cleaning and care



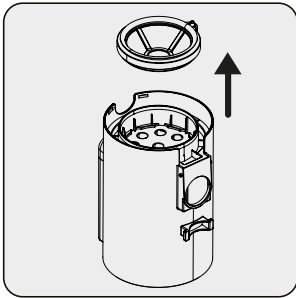
Wipe down the body of the appliance with a damp cloth.



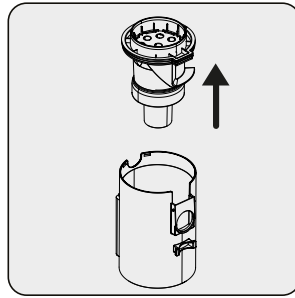
Press the dust container release button and remove the container.



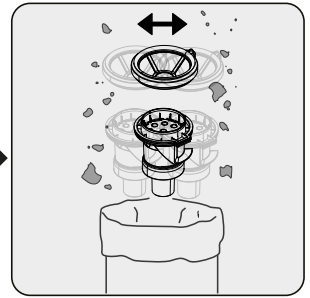
Lift out the multi cyclone filter and clean out the dust in the dust container.



To clean the filter more thoroughly, pull the front filter part up and remove it.



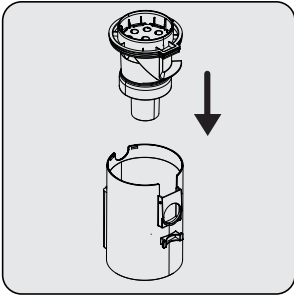
Pull the multi cyclone filter part up.



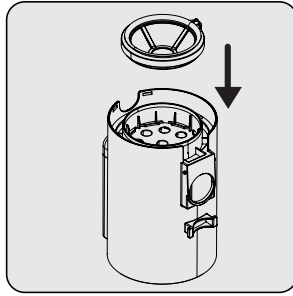
Clean the multi cyclone and front filter by shaking them to clear away the dust.



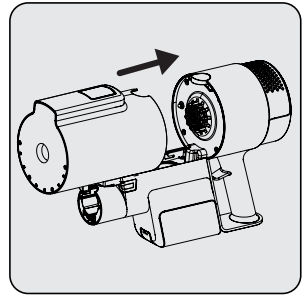
## 4 Cleaning and care



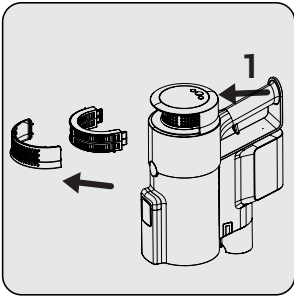
Attach the porous filter to the dust container.



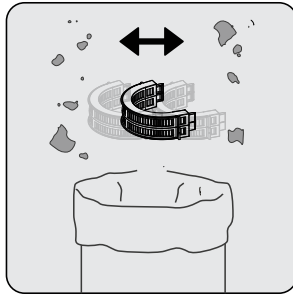
Attach the front filter to the porous filter.



For the back of the dust container to sit neatly onto the body, place the container into the body first and then into the button area.



To clean the EPA 12 filter, press button (1) and remove the filter part.



Clean the EPA 12 filter by shaking it to clear away the dust.

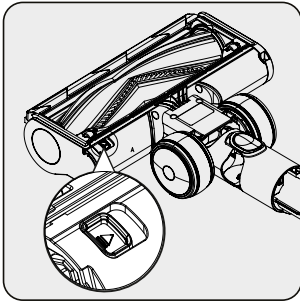
## 4 Cleaning and care

### 4.3 Cleaning of the brushes

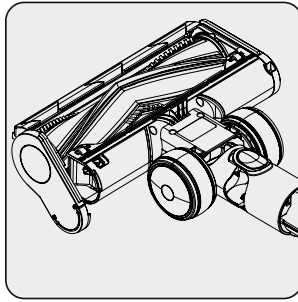
#### 4.3.1 Cleaning of the main brush



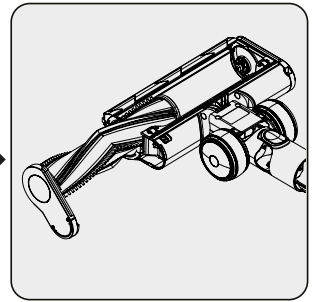
**WARNING:** Do not wash the turbo brush or the main roller.



Remove the roller brush plastic by pressing the button then sliding it out.



Tap the roller against a hard surface or use a brush to clear away the dust. Cut away any entangled hair etc.



Push the roller back into place.

### 4.4 Storage

- Store the appliance carefully if you do not intend to use it for a long time.
- Unplug the appliance.
- Make sure to keep the appliance out of reach of children.
- Store the battery on a non-conducting material, and do not allow the battery to come into direct contact with metal. Otherwise, the battery could get damaged.
- If you're not going to use it for a long time, store it with the charge at least half full. Do not fully charge or discharge the battery. You should charge the appliance at least once every 3 months.

### 4.5 Transportation and handling

- Transport the appliance in the original packaging. The packaging protects the appliance from physical damage.
- Do not place heavy objects on the appliance or its packaging. Otherwise, the appliance could get damaged.
- If the appliance is dropped, it might not work or it could sustain permanent damage.

## 5 Troubleshooting

PROBLEM	POSSIBLE CAUSE	SOLUTION
Does not work.	Battery is empty.	Charge it.
	Battery may be unseated.	Remove the battery and install it again.
	Vacuum connection is blocked.	Disassemble the appliance into body, brush and wand. Inspect and clean the connection points.
Suction power is low.	Dust container is full.	Clean the dust container and the filters.
	You may have reached the cleaning period of the filters.	Clean the filters.
	Filters may be deformed as a result of operation and their replacement period may have come.	Please contact the customer services to buy a new filter.
	Motor inlet foam has not been cleaned.	Clean the filters and recharge the appliance.
	The turbo brush doesn't spin. Hair and similar materials may have got tangled on the rotating roll on the turbo brush.	Clean the turbo brush roll.
There is disturbing noise from the motor.	Vacuum connection is blocked.	Disassemble the appliance into body, brush and wand. Inspect and clean the connection points.
	Something may have stuck between the dust reservoir and the filter.	Open the dust reservoir and inspect the filter area.
Cannot charge the vacuum cleaner.	The vacuum cleaner is not seated properly in the charging dock.	Put the vacuum cleaner onto the charging dock. Make sure that it is seated properly. Check the connection.

## 5 Troubleshooting

Operates for a very short time after charging.	It is not charged for the adequate period.	Charge for 3-4 hours as per the instructions.
	Motor inlet foam has not been cleaned.	Clean the filters and recharge the appliance.
	Battery life is deteriorated.	Contact the customer services to buy a new battery.
Automatic cleaning station does not work.	Might not be plugged in.	Make sure it's plugged in.
The automatic dust cleaning station stops as soon as it starts.	The dust bag is full.	Replace the dust bag with a new one.
	Might be time to clean the automatic cleaning station's motor input filter.	Clean the filter and press the automatic cleaning button.
	The vacuum cleaner's suction channel may be blocked.	Clean the dust container manually and check it.
The appliance makes loud and quiet noises when it is being cleaned.	It can make different noises depending on the material being cleaned.	Check the dust container once cleaning is complete.

## Product Guarantee

### **12 months breakdown and repair guarantee**

Guarantor: **Beko plc, 1 Greenhill Crescent, Watford, Hertfordshire. WD18 8UF**

The guarantee does not in any way diminish your statutory or legal rights.

Your **appliance** has the benefit of our manufacturer's guarantee which covers the product for 12 months from the date of original purchase.

This gives you reassurance that if within that time, your **appliance** is proven to be defective because of either workmanship or materials, we will at our discretion either repair or replace your **appliance**.

The **appliance** must be correctly installed, located and operated in accordance with the instructions contained in the user manual. The guarantor disclaims any liability for accidental or consequential damage.

The Guarantee is subject to the following conditions:

- Documentary proof of the original purchase date is provided.
- The appliance has been installed and operated correctly and in accordance with our operating and maintenance instructions.
- The appliance is used only on the electricity supply on the rating plate.
- The appliance has only been used for normal domestic purposes.
- The appliance has not been altered, serviced, dismantled or otherwise interfered with by any person.
- The appliance is used in the United Kingdom or Republic of Ireland.
- Any parts removed during repair work or any product that has been replaced becomes our property.
- The guarantee is not transferrable if the product is resold.

The Guarantee does not cover:

- Transit, installation or delivery damage.
- Accidental damage.
- Misuse or abuse.
- Replacement of any consumable item or accessories. These include but are not limited to: plugs, cables, light bulbs, knobs, filters and flaps.
- Repairs or replacements required as a result of unauthorised repairs or inexpert installation that fails to meet the requirements contained in the user guide or instruction book.
- Repairs to products used in commercial or non-residential household premises.

### How to obtain after sales service, help or general advice

**Please keep your purchase receipt or other proof of purchase in a safe place as you will need to show us this document if your product requires attention within the guarantee period.**

Please also record your product details below, which will allow you to access our services more quickly and help us identify your product. The model number is printed on the front of the user guide and the serial and model number is shown on your products rating plate.

<b>Model number</b>	<b>Serial number</b>	<b>Purchased from</b>	<b>Date of purchase</b>

Please call our UK based Customer Service department if you need help or advice from us:

United Kingdom and Northern Ireland: **0333 207 9710**

Republic of Ireland: **01 862 3411**

You can also contact us through our website: **[www.beko.co.uk](http://www.beko.co.uk)**

Arçelik A.Ş. Karaağaç Caddesi No:2-6,  
34445, Sötlüce, İSTANBUL, TÜRKİYE

[www.beko.co.uk](http://www.beko.co.uk)